



Z0642 Minuette 18\leftrightarrow57 deg Fresnel Spotlight

The smallest, lightest and most versatile luminaire in the Minuette range. It is equally at home on the stage of the largest Theatre, School drama studio, stage or lighting exhibition. Its soft edged controllable beam is very even.

The beam angle is adjusted by a heat resistant knob under the unit. Sliding this towards the lens increases the beam angle - away from the lens reduces it. The heat resisting rear handle and the T shaped tilt locking handle give easy cool control when adjusting the unit's position.

The Fresnel lens was specifically designed for the unit and is very efficient. The large beam angle range from 18-57 degrees and the optional accessory of a rotatable four leaf barn door, give complete control of the beam shape.

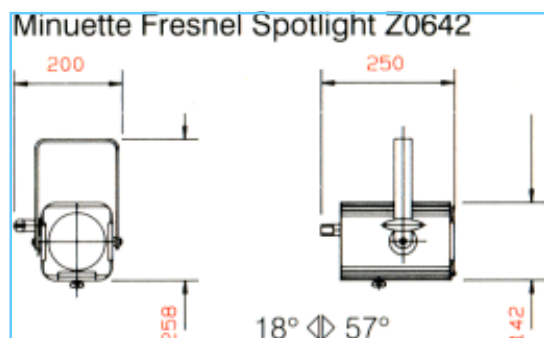
Typical performance based on calibrated T27 650 w 240v C13D bi plane 400 hr 3100K 14,500

CCT Minuette Z0642 Fresnel (650W 14,500 lm)									
Minimum angle					Maximum angle				
Peak candela (cd)	41,000				Peak candela (cd)	8,750			
Beam Angle (°)	8.5				Beam Angle (°)	47.0			
Cut off angle (°)	18				Cut off angle (°)	57.0			
Distance (m)	3	6	9	12	Distance (m)	3	6	9	12
Cut off dia (m)	0.45	0.90	1.35	1.80	Cut off dia (m)	2.61	5.22	7.83	10.44
Peak Illumination (Lux)	4,555	1,139	506	285	Peak Illumination (Lux)	972	243	108	61

All photometric data given is indicative of typical performance only. Specifications and materials may be changed without prior notice. Field angle where intensity drops to 10% of peak lux. Beam angle where intensity drops to 50% of peak lux. Cut off angle where intensity drops to zero of peak lux.

Reference Information

Weight 2.2 kg



Accessories	
Z0043	4 leaf Barndoor
Y0016	T18/T25 500w lamp
Y0018	T26/T27 650w lamp
Y0012	M38 300w lamp
Y0014	M40 500w lamp
Y0057	10mm Spigot
Z0431	Colour frame
Y0083	Hook clamp
Y0082	Safety bond