



Z0082 Starlette 5-50deg 2000w Pebble Convex Spotlight

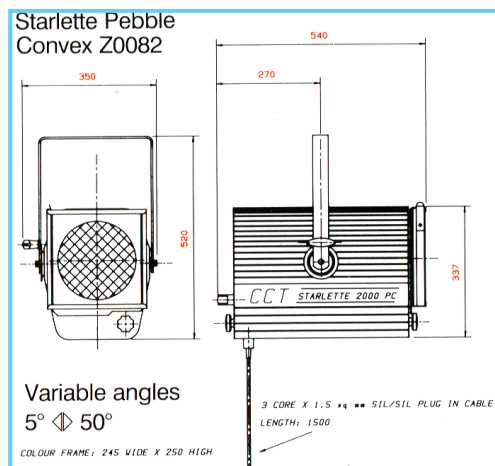
As with the 1000W/1200W unit the light output from this luminaire is more defined than the Fresnel which allows it to be used in 'Front of House' positions and, like all Starlette units, the Yoke has a built-in friction to stop the unit from tilting when accessories are mounted. This can be adjusted by tightening or loosening the centre bolt beneath the locking handle.

Typical performance based on calibrated CP79 2000W 240V bi-plane 3200K 54,000 lumen

CCT Starlette Z0082 5-50 deg Pebble convex (2000W 54,000 lm)									
Minimum angle					Maximum angle				
Peak candela (cd)	440,250				Peak candela (cd)	24,000			
Beam Angle (*)					Beam Angle (*)				
Cut off angle (*)	5				Cut off angle (*)	50			
Distance (m)	6	9	12	15	Distance (m)	6	9	12	15
Cut off dia (m)	0.54	0.81	1.08	1.35	Cut off dia (m)	5.58	6.37	11.16	13.95
Peak Illumination (Lux)	12,229	5,435	3,057	1,957	Peak Illumination (Lux)	667	296	167	107

All photometric data given is indicative of typical performance only. Specifications and materials may be changed without prior notice. Field angle where intensity drops to 10% of peak lux. Beam angle where intensity drops to 50% of peak lux. Cut off angle where intensity drops to zero of peak lux

Reference Information Weight 16kg



Accessories	
Z0081	4 leaf Barndoor
Y0021	CP72/79 2000w lamp
Z0014	Colour frame
Y0083	Hook clamp
Y0082	Safety bond