



Z0080 Starlette 6-50 deg 2000w Fresnel Spotlight

The high light output and even field from this unit's 200mm lens makes this professional luminaire an ideal "Key" light for stage or studio use. Focus is by external lead screw and lamp change is from underneath. The height of the yoke can be reduced where space is at a premium. The Barndoor and Colour change accessories are retained in the colour runners by a hinged door which is kept closed by a spring clip.

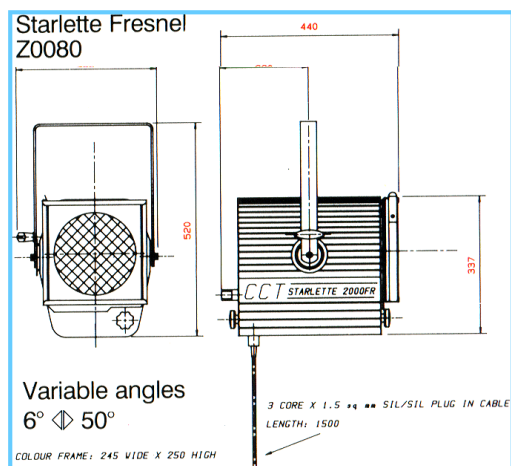
Typical performance based on calibrated CP79 2000W 240V bi-plane 3200K 54,000 lumen

CCT Starlette Z0080 6-50 deg Fresnel (2000W 54,000 lm)									
Minimum angle					Maximum angle				
Peak candela (cd)	295,250				Peak candela (cd)	31,000			
Beam Angle (*)					Beam Angle (*)				
Cut off angle (*)	6				Cut off angle (*)	50			
Distance (m)	6	9	12	15	Distance (m)	6	9	12	15
Cut off dia (m)	0.72	1.08	1.44	1.80	Cut off dia (m)	2.76	4.14	5.52	6.90
Peak Illumination (Lux)	8,200	3,645	2,050	1,310	Peak Illumination (Lux)	860	385	215	140

All photometric data given is indicative of typical performance only. Specifications and materials may be changed without prior notice. Field angle where intensity drops to 10% of peak lux. Beam angle where intensity drops to 50% of peak lux. Cut off angle where intensity drops to zero of peak lux

Reference Information

Weight 11.3kg



Accessories	
Z0081	4 leaf Barndoor
Y0021	CP72/79 2000w lamp
Z0014	Colour frame
Y0083	Hook clamp
Y0082	Safety bond